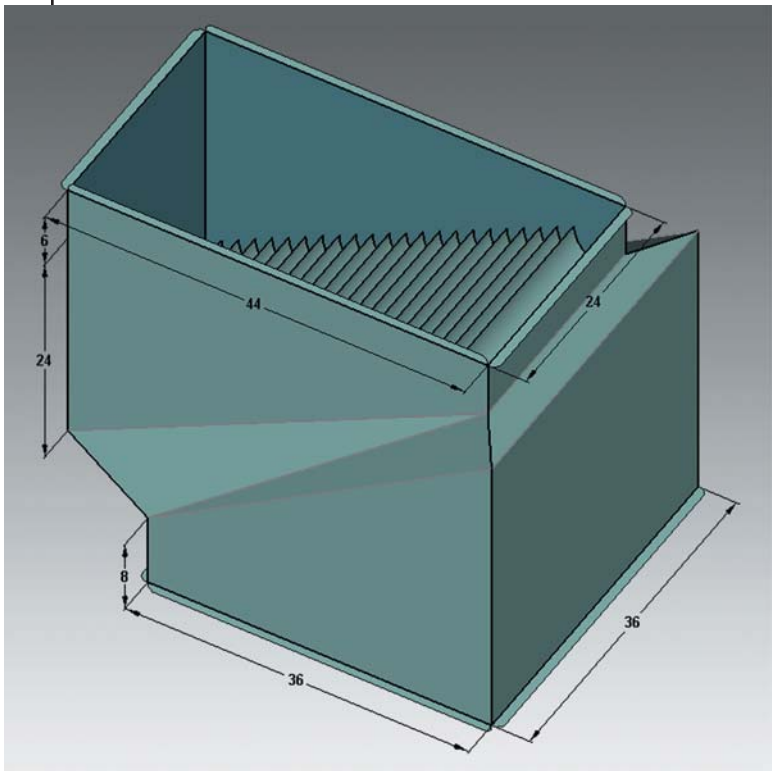


www.meta-lab.com

New patent-pending CAM and estimating software, developed specifically for the new and most advanced technology. Thousands of fittings, products, parts, shapes, patterns and accessories. Most effective, efficient and economical solution for your shop.



PractiCAM™

MetaLab Inc. • cad, cam and estimating systems for sheet metal fabrication, heating, ventilation and air conditioning applications, signmaking, ship building, ornamental and fine art metalwork, machine building and repair, general manufacturing and construction

completely custom goods and services

12  
Job Job 1  
Drawing Drawing 12  
Takeoff Takeoff 2  
System #  
Galvanized  
22  
1" Acoustic Liner

Bottom 48.00 X 53.18 C2

CONN OUT L: Slip & Drive  
CONN OUT R: Slip & Drive

Piece #  
**22**

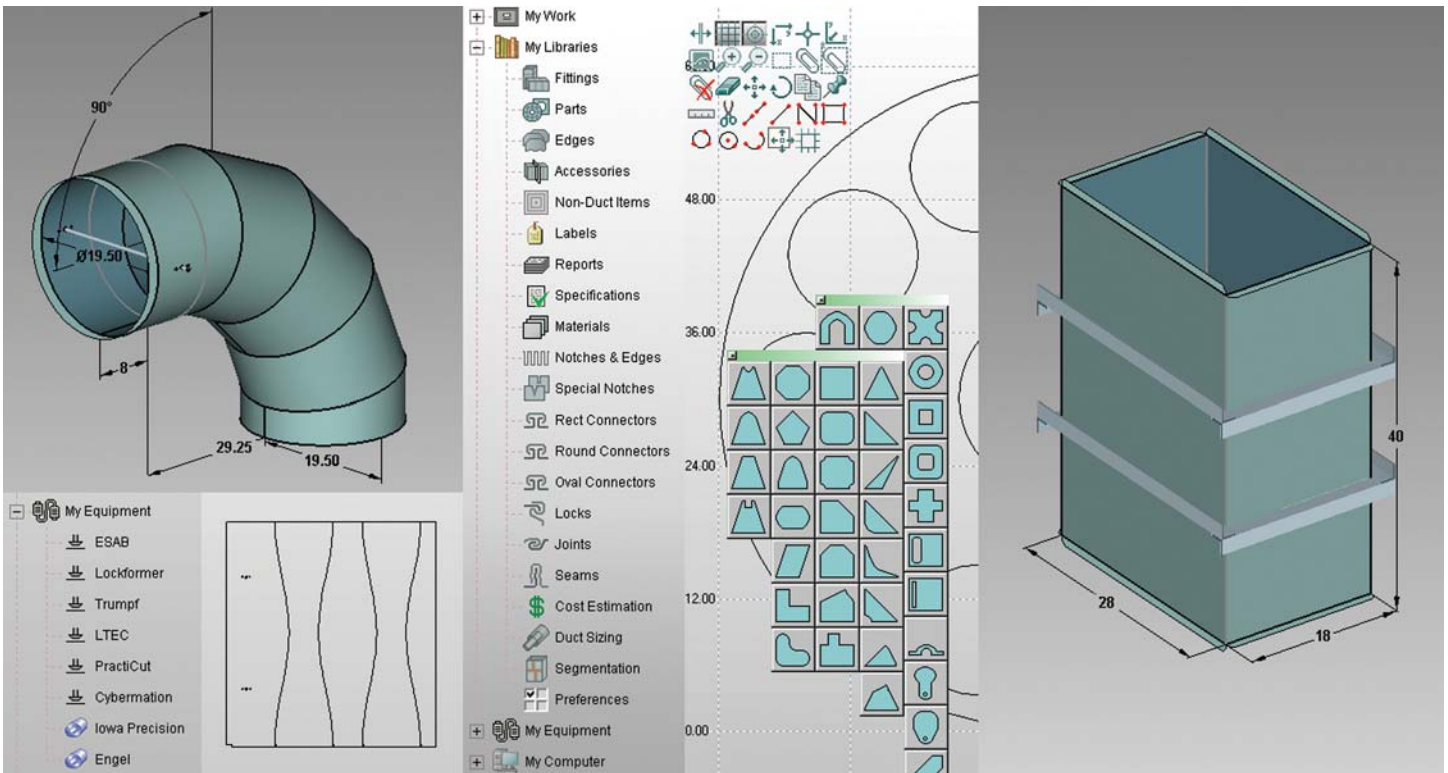
CONN IN: Slip & Drive LOCK: Small Pittsburg

Unlimited and completely custom product libraries. True multitasking. Networking and Internet-enabled features. Capability for integration with existing CAD systems for direct data download. Most sophisticated and fully customized manufacturing allowances, specifications, fixtures, accessories, reports, and labels. Highly effective nesting and a variety of material and labor saving features. Support for downloading to every cutter and coil line on the market. Integrated instant estimating system (at no extra cost). Many unique features which you will not find anywhere else.

Everything you ever wanted for your shop – and then some. Please, read on.

Making Things. Easy.™





Where should we start?

**PractiCAM libraries**, infinitely expandable and customizable, include **over 1900 fittings and over 1500 flat shapes**, combining libraries of virtually all major manufacturers of duct and cutting equipment. Round, rectangular, oval duct fittings, single wall, dual wall, wrapped or lined, pans, curbs, cases, enclosures, special products – the list continues to grow daily.

**Direct import of layout drawings from AutoCAD (DXF/DWG).** Integrated capability for a **direct download from other CAD systems.**

Interactive input features (**3D fully rotatable photorealistic images**, direct data input via the drawing or the parameter list, parameter tracking, extensive error checking and others).

All production standards are supported by the **most flexible specification system in the industry** – all rules are set in plain English, with an unlimited level of manufacturing complexity and sophistication.

Flexible and robust system of custom shop allowances unmatched by anyone – locks, joints, seams, connectors, notches are all directly and/or **parametrically modifiable** in a graphic CAD editor, to any degree of complexity.

**Custom, layered, parametric parts and shapes. Parts from text in any font and any size.** Most extensive flat part library in the world, supplemented by a fully featured CAD editor.

Material libraries including **unlimited** number of materials, wraps, liners, utilizing custom material stocks.

**Automatic and interactive segmentation** for oversized products.

**Extensive sets of custom label and report templates**, including any possible parameter, any method of sorting and ordering, any template size, and any visual appearance.

Label features include a **fully dimensioned 3D product image**, **industry standard bar codes**, and

any other information you need.

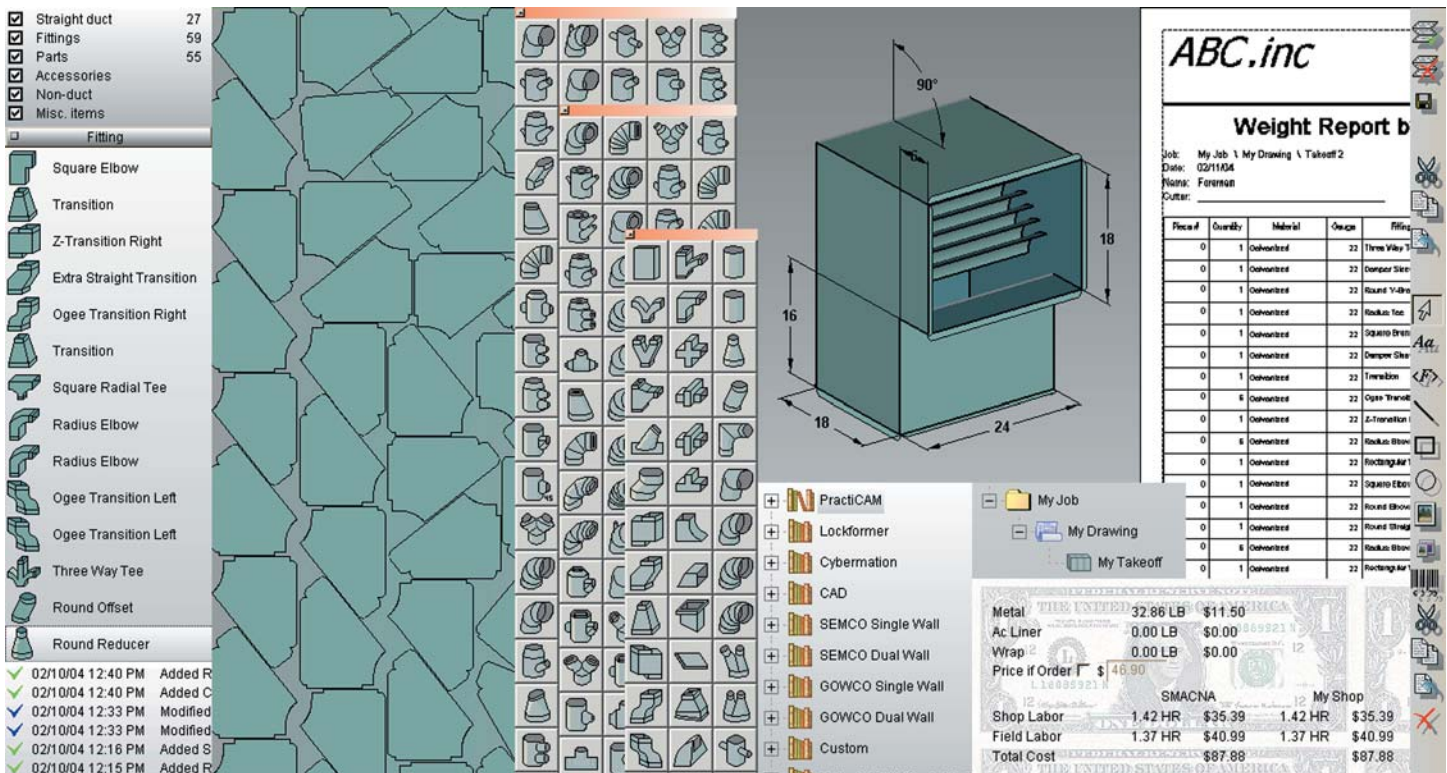
**Instant integrated cost estimating system**, both for material and labor costs, with two simultaneous cost estimates: one is SMACNA-based and another is **derived directly from your shop's past performance.**

Direct and true handling of all accessories – damper rods and plates, turning vanes, radial vanes – including **3D view of the accessory installed on a fitting, and ability to manufacture it.**

Special instructions, **easily interchangeable metric and standard measurement systems**, duct sizing tables.

**Download to every cutter, coil line, and NC controller, available on the market**, including Lockformer, MG, Cybermation, ESAB, Engel, Iowa Precision and others.

Multilingual software versions (English, Spanish, Russian, German and French). **Integrated system of expanded learning hints**, context-dependent help and – we are running out of space, aren't we?



To make a long story short, we may ask you to remember two answers to most user questions we get. The answers are "Whatever you would like" and "As much (or as many) as you want". We use them all the time – with respect to almost every PractiCAM feature or capability, because in PractiCAM, there are no limitations.

However, most important here is not the outstanding quality of our products, but our commitment to building a long-term relationship with you and your company.

We are not interested in making a quick profit, and moving on. For every one of our customers, we want to create an effective, efficient, economical, productive, custom manufacturing system which does exactly what their shop needs.

This focus is reflected in our product pricing, maintenance schedules, and services we provide to you.

PractiCAM does not have any added-cost options, and every one

of our customers gets a fully featured system. We do not believe in nickel-and-diming our customers.

Our systems are priced per site, not per workstation, so you would pay for one system even if you needed ten. All system updates and technical support are free for as long as you own and maintain your software (and no, maintenance fees are not exorbitant – a nominal annual fee based on the number of workstations you have).

Our services include regular software updates (currently posted on our Web site no less often than once a month) and any software modifications you may require. The best part of our standard service arrangements? They are free.

For example, any additional fittings, shapes, parts, label and report templates, are created for you free of charge, and, in most cases, with a turnaround time of 24-48 hours.

Any software modifications you may require are also free of charge – and the speed of these modifications is determined by their

priority and importance to you and other customers. Why? Because our goal is to treat you and your company fairly, and to grow with you.

We know that PractiCAM is the most versatile, most powerful, and easiest to use system on the market – the best in the business.

And we are confident about it.

Bring us a confirmed price quotation from any one of our competitors. Make sure that every PractiCAM feature available from this competitor is included in his quotation (most of them price every feature separately). If you are planning to buy multiple workstations, include this into the quote.

We will sell you our PractiCAM software for 10% less than the lowest legitimate price you have been able to obtain for the software with the same set of features and the same number of workstations.

Simple, fair and square (this is how we do all of our business).

A very important detail:  
PractiCAM will pay for itself in less than 6 months.

Even in a very small shop.

866.870.1014 (toll-free)

14355 Schiller Road, Houston, Texas 77082  
281.870.1014 • fax 281.870.1279 • [www.meta-lab.com](http://www.meta-lab.com)

Another important detail:  
All CAM systems are not created equal.

But more than likely, you already know this.